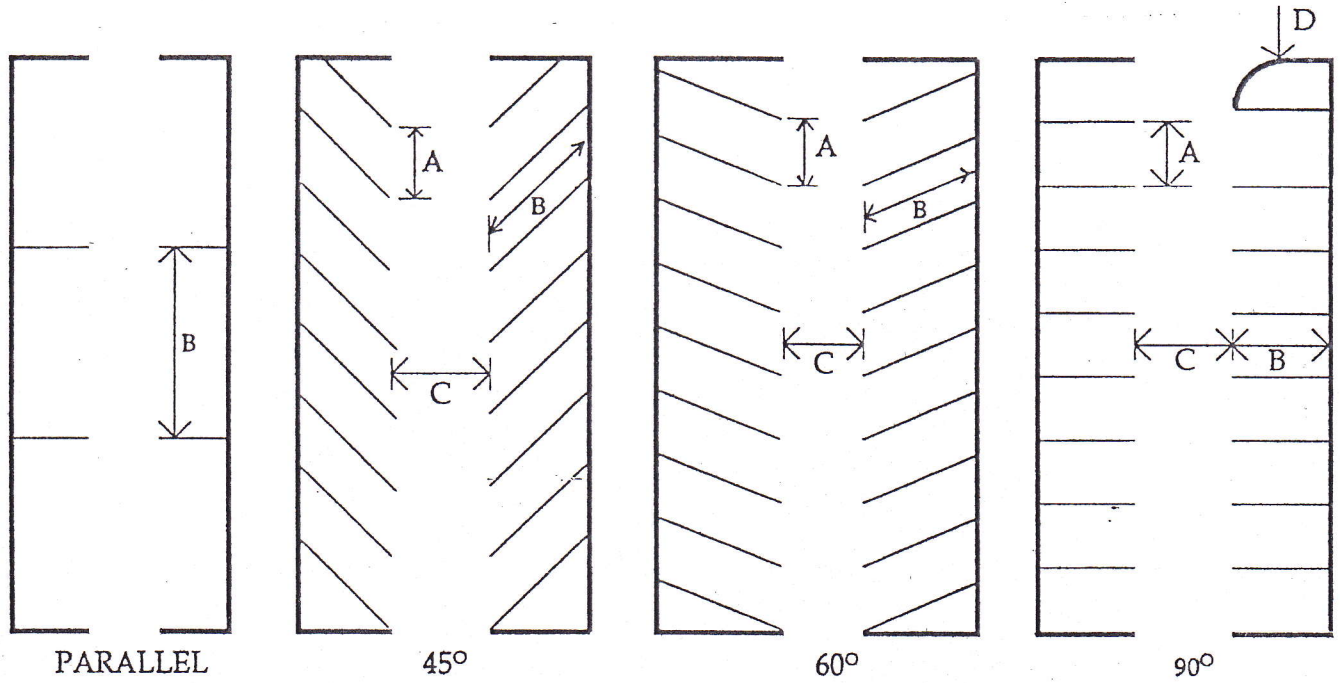


APPENDIX "C"

PARKING ARRANGEMENTS



MINIMUM STANDARDS	PARALLEL	45°	60°	90°	
A	Width of parking Space	9'	12'	10'	9'
B	Length of Parking Space	23'	19'	19'	19'
C	Width of Driveway Isle	12'	13'	18'	25'
D	Width of Access Driveway	14'	17'	14'	14'